

SUMMIT **TRUCK BODIES**



785-989-3100

www.summitbodies.com

INDEX

SUMMIT BRUSH TRUCK

- SPECIFICATIONS: (Full Body)
 - o General Pictures
 - o Example Drawings
 - o Approximate Finished Weights
- SPECIFICATIONS: (Flatbed Body)
 - o General Pictures
 - o Example Drawings
 - o Approximate Finished Weights
- SAFETY DECALS & OPERATION:
 - o Safety Decals for Skid Operation
 - o Be familiar with truck manufacturer's Operator safety controls
- OPERATION OF WATER FILL AND DELIVERY:
 - o Truck Ignition Switch
 - o Parking / Emergency brake
 - o Power Take-off switch
 - o Strobe Light Operation
- OPTIONAL ACCESSORIES:
 - o Summit Drawer System
 - o Receiver Tube Spare Tire Carrier
- TROUBLESHOOTING:

FORWARD

This guide is a reference for the new operator and a refresher for the experienced one. Read – study – and keep it with the truck.

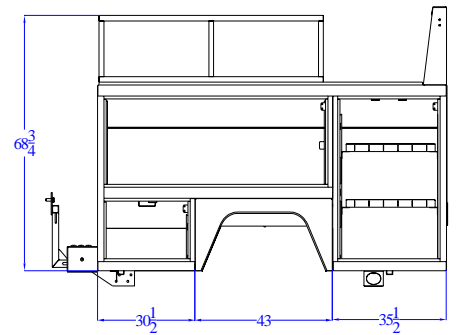
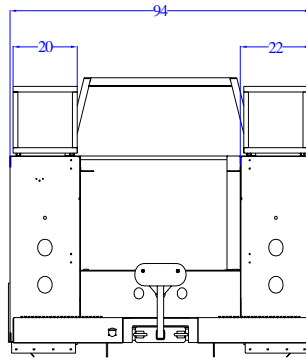
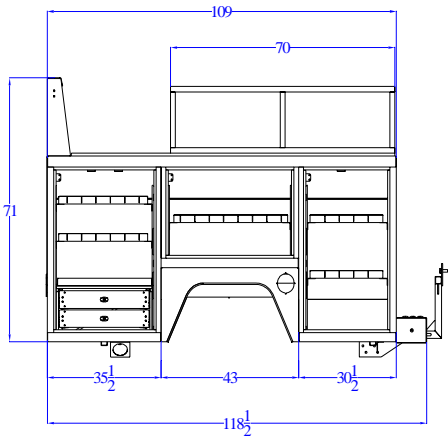
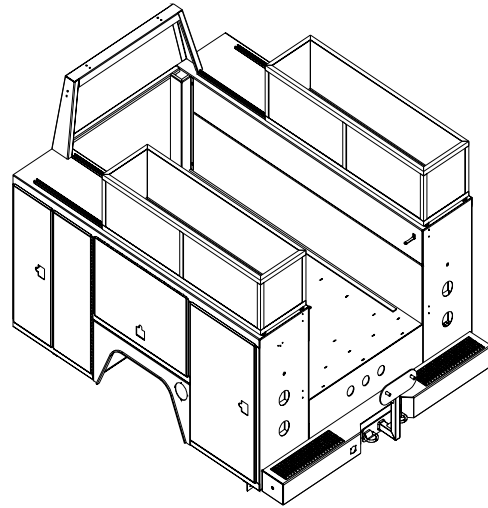
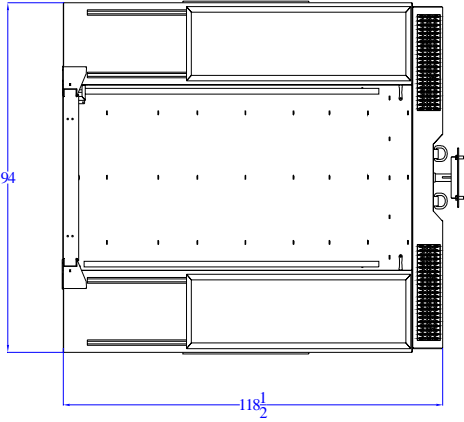
This guide contains safety, operation, and maintenance information.

Illustrations or photos guide the operator through correct procedures of checking, starting, operating and stopping the systems. Note that some graphics or photos may differ slightly from truck to truck.

Operating techniques outlined in the guide are basic. Skill and techniques develop as the operator gains knowledge of their brush truck and products being delivered.

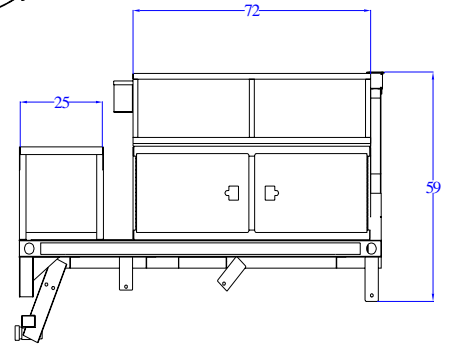
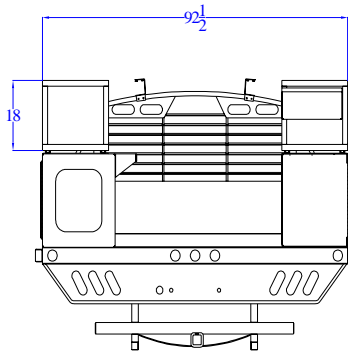
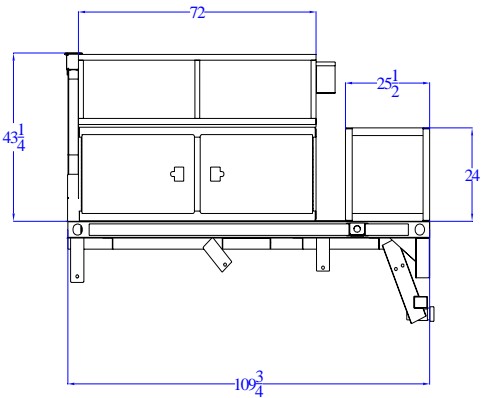
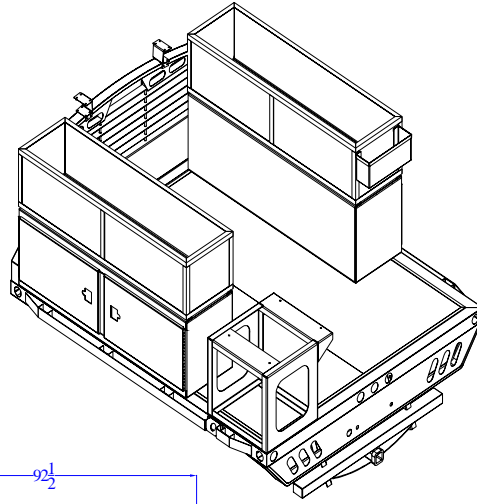
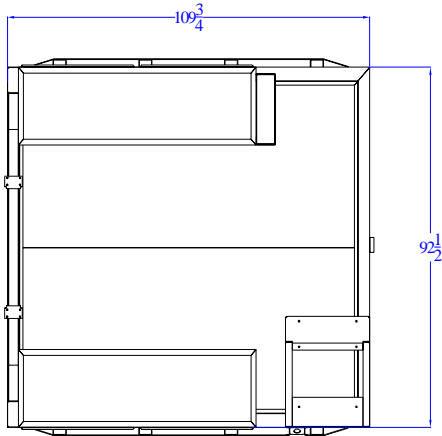
You are responsible for observing all applicable Federal, State, and Local Laws and Regulations and for following the manufacturer's instructions for operation and maintenance of the truck. The design and specifications allowed for appropriate weight distribution when loaded with products for delivery.





Weights will vary depending on Chassis:
 Sterling Bullet 4X4 Quad Cab with GVW of 18,750
 Gross Empty Weight 12,880
 Rear Axle 7,440
 Front Axle 5,440





Weights will vary depending on Chassis:
Sterling Bullet 4X4 Quad Cab with GVW of 16,000
Gross Empty Weight 10,760
Rear Axle 5,480
Front Axle 5,280

DECALS:

Decal Number: 700-30439
 Title: WARNING,DO NOT RIDE ON TAILBOARD,BRUSH TRUCK
 Description: To inform operator not to ride on tailboard when truck is moving
 Location: Tail Board



Decal Number: 700-30440
 Title: WARNING,OCCUPANT MUST BE SEATED AND BELTED,BRUSH TRUCK
 Description: To inform operator to be seated and belted when truck is moving
 Location: Cab of Truck



Decal Number: 700-30441
 Title: WARNING,VEHICLE,HEIGHT LENGTH WEIGHT,BRUSH TRUCK
 Description: To inform operator of his size limitations of his vehicle
 Location: Cab of Truck



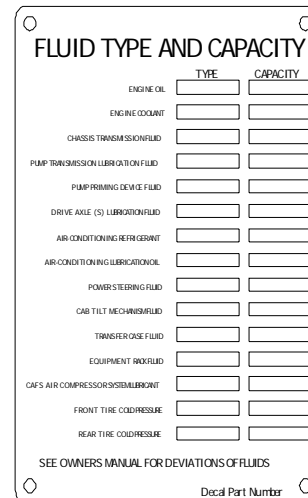
Decal Number: 700-30442
 Title: WARNING,DO NOT MOVE APPARATUS WHEN LIGHT IS ON,BRUSH TRUCK
 Description: To inform operator not to move when light is on
 Location: Cab of Truck



Decal Number: 700-30443
 Title: REEL,BRUSH TRUCK
 Description: To inform operator that this is a reel
 Location: On Reel



Decal Number: Varies
 Title: FLUID TYPE AND CAPACITY,.032 ALUMINUM, 6028 BRUSH TRUCK
 Description: To inform operator of the fluids on his vehicle
 Location: Cab of truck



ACCESSORIES:



Summit Truck Bodies offers a variety of Drawer Systems for any size compartment. Summit Truck Bodies also offers Drawer Systems as a stand alone unit. Both are made of heavy duty 14 gauge galvanized material with roller slides rated to 500 lbs per drawer. The faces of the drawers are powder coated to reduce scratches and the handles are chrome polished to enhance the appearance. The drawers can be locked separately to limit access to certain drawers to certain individuals.



Another option offered is a receiver hitch mounted spare tire rack. This rack can be removed for easy access to the cargo bed or while pulling a trailer. This hitch allows more room in the cargo bed while still being able to carry a spare tire.

Summit Truck Bodies offers many more accessories to up fit your vehicle. Please contact your Salesperson for any questions you may have. Remember just because you don't see it doesn't mean we can't make it.



Warranty Period: 12 Months

Summit Truck Bodies, LLC (hereinafter "Summit") warrants each new service and lube body of Summit's manufacture to be free from defects in material and workmanship, under normal use and service for a period of one (1) year after initial purchase as derived from a completed warranty registration card. This Limited Warranty shall apply only to complete bodies of Summit's manufacture. Parts are covered by a separate limited warranty. EQUIPMENT AND ACCESSORIES NOT OF SUMMIT'S MANUFACTURE ARE WARRANTED ONLY TO THE EXTENT OF THE ORIGINAL MANUFACTURER'S WARRANTY AND ARE SUBJECT TO THEIR ALLOWANCE TO SUMMIT ONLY IF FOUND TO BE DEFECTIVE BY SUCH MANUFACTURER.

Warranty Terms

During the Limited Warranty period specified above, any defect in material and workmanship in any warranted item of Summit bodies not excluded below shall be repaired or replaced at Summit's option by a Summit representative or approved repair facility. Summit will pay for replacement parts and such approved repair shop's labor in accordance with Summit's labor reimbursement policy below. Summit reserves the right to supply remanufactured, replacement parts as it deems appropriate.

Retail Purchaser Responsibility

This Limited Warranty requires proper maintenance and periodic inspections of the bodies and accessories as indicated in the Operator's Manual furnished with each new Summit body. The cost of routine maintenance and services is the responsibility of the retail purchaser. The retail purchaser is required to keep documented evidence that these services were performed.

The Summit Truck Bodies, LLC Limited Warranty may be subject to cancellation if the above requirements are not performed.

Summit bodies or accessories with known failed or defective parts must be immediately removed from service.

Exclusions and Limitations

The warranties contained herein shall NOT APPLY TO:

1. Any defect which was caused (in Summit's sole judgment) by other than normal use and service of the body or accessory or by any of the following: (i) accidents including but not limited to collision (ii) misuse or negligence (iii) overloading (iv) lack of reasonable and proper maintenance (v) improper repair or installation (vi) unsuitable storage (vii) non-Summit alteration or modification (viii) natural calamities (ix) vandalism
2. Any body or accessory whose identification numbers or marks have been altered or removed.
3. Any body or accessory which any of the required or recommended periodic inspection or services have been performed using parts not manufactured or supplied by Summit or meeting Summit specification.
4. New bodies or accessories delivered to the retail purchaser in which the warranty registration is not returned within fourteen (14) days from the date of delivery.
5. Any defect which was caused (in Summit's sole judgment) by operation of the body or accessory not abiding by standard operating procedures outlined in the Operator's Manual.

6. Items not of Summit manufacture including but not limited to the chassis, crane, welder, hydraulic and PTO components, tool drawer packages, and electronic components are the responsibility of the respective product's manufacturer. Summit recognizes that these components are an important part of the end product and will facilitate the repair or replacement of such parts by a. providing replacement parts where possible; b. facilitating the shipment of part from the manufacturer; and/or c. directing the customer to an authorized repair facility for said part.
7. Costs incurred by Summit for replacement parts for items not of Summit manufacture will be invoiced to the customer. To be considered for warranty, the failed part must be returned, at the discretion of Summit, to Summit or the manufacturer of the part within fourteen (14) days. The part will be evaluated and if warranty is approved by the manufacturer credit will be issued to the customer in the form of a. Credit to a Summit account if one exists or b. Credit back to a charge card or c. Check to the customer.
8. Transportation costs, if any, of transporting unit to an approved repair facility.
9. In no event shall Summit's liability exceed the purchase price of the product.
10. Summit shall not be liable to any person under any circumstances for any incidental or consequential damages (including but not limited to loss of profits and out of service time) occurring for any reason at any time.
11. Diagnostic and overtime premiums are not covered under this Limited Warranty Policy.
12. Depreciation caused by normal wear, lack of reasonable maintenance, failure to follow operating instructions, misuse, or lack of proper protection during storage.
13. Accessory systems and electronics not of Summit's manufacture are warranted only to the extent of such manufacturer's respective Limited Warranty, if any.
14. Any installation of a body on chassis other than original factory installation.

Parts Warranty

Parts replaced in the warranty period will receive the balance of the first year Summit Truck Bodies, LLC Limited Warranty, during the first twelve (12) months. Replacement parts after the original warranty period are warranted to be free from defects in material for ninety (90) days or the part will be repaired or replaced without labor coverage for removal or installation.

Summit Labor Reimbursement Policy

Summit will consider labor reimbursement during the defined warranty period provided that the repair is pre-approved. Contact the Service Department at Summit for details.

Shipping Costs

Summit will pay for shipping of warranty parts by ground carrier. Expedited freight delivery is available at the expense of the owner. Shipping for the return of parts for warranty consideration will be at the owner's expense but will be reimbursed if the parts in question are deemed defective by Summit or by the manufacturer of the part.

Exclusion of Warranties

Except for the warranties expressly and specifically made herein, Summit makes no other warranties, and any possible liability of Summit hereunder is in lieu of all other warranties, expressed, implied, or statutory including but not limited to any warranties of merchantability or fitness for particular purpose. Summit reserves the right to modify, alter, and improve any product previously sold without incurring any obligation to replace any product previously sold without such modification. No person is authorized to give any other warranty or assume any additional obligation on Summit's behalf.